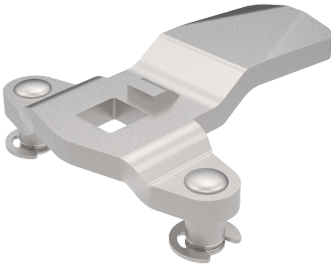


SISTEMA VISION - LINGUETAS TRÊS PONTOS EM AÇO INOX 304



Lingueta de três pontos com ressalto para cremona. Projeção do varão de 20mm. Fornecida com anel trava. No desenho e na tabela A = Medida interna a partir da chapa até o ponto de trancamento no quadro.

MATERIAL

Cam : Zamak, cromado

RELATED PRODUCTS

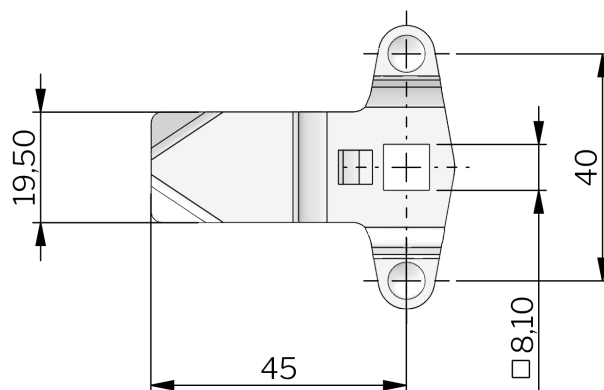
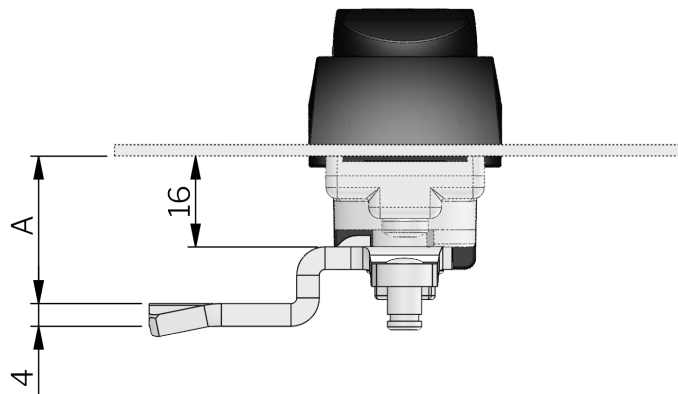
Other materials: 1-008.51

Similar products: 1-008.51

Use the Index Code at industrilas.com

TESTS & STANDARDS

Please note that all cams with dimension A is less than 16 mm can only be used in combination with swing handles (Product ID 1-010 and 1-020).



P/N	Descrição	Material	A
2330S01P	3-point cam	Aço inox 304	2
2330S02P	3-point cam	Aço inox 304	4
2330S03P	3-point cam	Aço inox 304	6
2330S04P	3-point cam	Aço inox 304	8
2330S05P	3-point cam	Aço inox 304	10
2330S07P	3-point cam	Aço inox 304	12
2330S08P	3-point cam	Aço inox 304	14
2330S09P	3-point cam *	Aço inox 304	16
2330S10P	3-point cam	Aço inox 304	18
2330S11P	3-point cam	Aço inox 304	20
2330S12P	3-point cam	Aço inox 304	22
2330S14P	3-point cam	Aço inox 304	24
2330S15P	3-point cam	Aço inox 304	26
2330S16P	3-point cam	Aço inox 304	28
2330S17P	3-point cam	Aço inox 304	30
2330S18P	3-point cam	Aço inox 304	32
2330S20P	3-point cam	Aço inox 304	34
2330S21P	3-point cam	Aço inox 304	36
2330S22P	3-point cam	Aço inox 304	38
2330S23P	3-point cam	Aço inox 304	40
2330S24P	3-point cam	Aço inox 304	42
2330S27P	3-point cam	Aço inox 304	48
2330S28P	3-point cam	Aço inox 304	46
2330S29P	3-point cam	Aço inox 304	44

* P/N 2330S09P with straight cam.